

## bourdon tube pressure gauges anti-vibration version DS 2" (50mm)



PED 2014/68/EU

Instruments designed for use in power station units, pumps, hydro-cleaning machines, presses, engine compressors, turbines, diesel engines, as well as in chemical, petrochemical, and refrigerating plants. They are also suitable for machines and equipment exposed to pulsating pressures or mechanical vibrations. These instruments can be used with gaseous or liquid media that do not corrode copper alloys, have low viscosity, and do not crystallize.

### 1.10.2 - Fillable Model

**Design:** EN 837-1.

**Ranges:** from 0...30 to 0...6000 *psi* (from 0...2,5 to 0...400 bar)

**Accuracy class:** 1,6 as per EN 837-1.

**Ambient temperature:** -13...+149°F (-25...+65 °C).

**Process fluid temperature:** +248°F (max +120 °C).

**Thermal drift:** max ±0,4 %/10 °C of ranges (starting from +68°F - 20°C).

**Working overpressure:**

75% of FSV for static pressure;

66% of FSV for pulsating pressure;

**Overpressure (max 15 min):**

25% of FSV of ranges ≤ 1450 *psi* (100 bar);

15% of FSV for ranges over 1450 *psi* (100 bar).

**Protection degree:** IP 65 as per IEC 529.

**Socket material:** copper alloy.

**Bourdon tube:** copper alloy.

**Case:** stainless steel.

**Window:** plastic.

**Movement:** copper alloy.

**Dial:** aluminium, white with black markings.

**Pointer:** not adjustable, aluminium, black

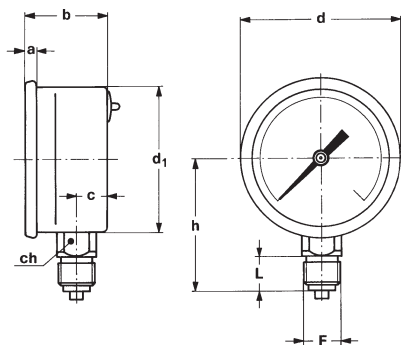
### 1.10.3 - Filled Model

**Damping liquid:** glycerine 98%.

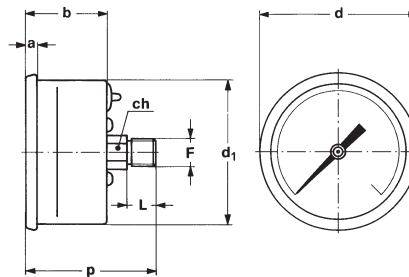
**Ambient temperature:** +32...+149°F (0...+65 °C).

**Process fluid temperature:** +149°F (max +65 °C).

**Other features:** as fillable model.



**A - LOWER CONNECTION**



**D - BACK CONNECTION**

Mounting	F	a	b		d	d <sub>1</sub>	h	p	L	ch	Weight (1)
Lower	<b>21M</b> - G 1/4 A	0.15"	1.14"	0.43"	2.20"	2.00"	1.87" - 1.94"		0.51" - 0.59"	0.55"	0.22 lbs
	<b>23M</b> - 1/4-18 NPT	(4)	(29)	(11)	(56)	(51)	(47,5 - 49,5)		(13 - 15)	(14)	(0,1 kg)
Back	<b>11M</b> - G 1/8 A	0.15"	1.14"		2.20"	2.00"		1.81"	0.39"	0.47"	0.18 lbs
	<b>13M</b> - 1/8-27 NPT	(4)	(29)		(56)	(51)		(46)	(10)	(12)	(0,085 kg)

dimensions : inches (mm)

(1) add 0.09 lbs (0,045 kg) when filled

**OPTIONS**

Model	fillable	filled
<b>B</b> - Clamp and ring for back connection pressure gauges	◆	◆

**"HOW TO ORDER" SEQUENCE**

Section / Model /Case / Mounting / Diameter / Range / Process connection / Options

**1**    **10**    **2**    **A**    **B**    **11M**    **B**  
                                  **3**    **D**    **13M**  
    **21M**  
    **23M**

